

The top half of the image features a background of vertical wood slats in a light tan color. On the left side, there are large, dark green leaves of a plant, partially overlapping the wood slats. The text 'WoodEvo.' is written in a white, sans-serif font, positioned in the upper left quadrant of this section.

WoodEvo.

CLADDING INSTALLATION GUIDE

Wood. Evolved.

CONTENTS

CLADDING PREPARATION	Page 4
CARE GUIDE & MAINTENANCE	Page 6
MATERIALS	Page 7

INSTALLATION STEPS

CLADDING PANEL INSTALLATION	Page 8-9
INNER CORNER INSTALLATION	Page 10
OUTER CORNER INSTALLATION	Page 10

WOOD. EVOLVED.



WELCOME TO WOOD. EVOLVED.

Congratulations on your new WoodEvo CLADDING!

Your cladding has been carefully engineered to provide years of maintenance-free enjoyment for you and your family. Please follow this installation guide carefully to ensure that your cladding is correctly and safely installed.

DISCLAIMER

- When installing cladding, always comply with the National Construction Code, Building Code of Australia, as well as all applicable Australian Standard and local building codes.
- All instructions in this document are provided for illustration purposes only and are not intended to replace the expertise of a licensed professional.
- WoodEvo assumes no responsibility for any risks and/or liability associated with the use of WoodEvo products during construction.

SAFETY INSTRUCTIONS

- The use of personal protective equipment (PPE) and all applicable safety equipment is required during any type of construction work.
- When working with WoodEvo cladding you should always wear appropriate gloves, respiratory protection (or dust mask), long sleeves, and safety glasses.
- Standard woodworking tools can be used with WoodEvo cladding. Please ensure you take appropriate steps to ensure all tools are used safely.
- Static electricity advisory: it is normal for static electricity to occasionally build up in plastic-based products. This phenomenon is rare and is typically more noticeable in dry conditions.

HEAT & FIRE CONSIDERATIONS

WoodEvo products could potentially be damaged by contact with strong heat sources such as, but not limited to, fire, or the reflection of sunlight from energy-efficient window products. Please ensure you consider such risks when planning the location and configuration of your cladding.

CLADDING PREPARATION

STORAGE & PROTECTION OF BOARDS

- Prior to installation, ensure cladding panels are stored on a flat surface to prevent damage from falling or sliding.
- Protect cladding panels from impact with heavy and/or sharp objects before and during installation.
- Cover cladding panels with a heavy fabric (such as natural fibre canvas) when working on the cladding to avoid damage.

COLOUR & GRAIN PATTERNS

WoodEvo cladding is carefully designed to emulate the finish of real timber, which means slight variations in colour and grain pattern are deliberately added to enhance the natural appearance of the product. This effect is purely aesthetic and does not impact the functionality or durability of the v.

Note:

While our cladding products are engineered to be cooler to the touch when compared to other cladding materials, they will still absorb ambient heat on hot days. It is normal for them to feel warm to touch (especially darker cladding colours).

PROTECTING YOUR CLADDING

- Leave the laying of your new cladding until after all other works have been completed.
- Always cover the cladding securely during installation or nearby construction.
 - I. Use a breathable material (such as natural fibre canvas) to cover the cladding, protecting it from dust, debris, and spills.
 - II. Do not use rubber or plastic sheeting to cover the cladding as it may trap moisture and/or apply direct heat, risking potential damage.
 - III. Fasten the cover securely, allowing for sufficient airflow to avoid moisture buildup.
- Once construction is complete, remove the cover(s) and clean the cladding thoroughly with soap and water or a pressure washer (see Care & Maintenance instructions later in this guide) to remove any leftover materials.



ATTENTION

Do not mark the cladding with oil pens or coloured pens. Do not use a chalk line as it may mark.

Do not use nails (or a nail gun) to affix cladding panels. This can compromise the cladding panel integrity and will void your warranty.

Only use approved screws to install your cladding. This will ensure a secure, safe, and long-lasting installation.

Always install cladding panels with the castellated side facing up.

Each cladding panel may need to be squared off. Make sure at least 1 blade width is cut from each end of the cladding board.

Panels must be installed on a minimum of 3x horizontal rails. Example: A 450mm panel with 1 rail on each end, would also require a rail in the middle.

CARE & MAINTENANCE

CLEANING YOUR CLADDING

Use a gentle soap and water solution for regular cleaning. For more stubborn stains, use a solution of diluted white vinegar in water.

Caution:

Avoid using abrasive cleaners and solvent-based chemicals which can cause harm to the surface of the cladding.

USING A PRESSURE WASHER

A pressure washer (up to 1400psi) can be used to clean the cladding. Always ensure you use a wide spray setting, and keep the nozzle a safe distance from the cladding surface.

Warning:

Using a concentrated or narrow spray setting, or moving the nozzle too close to the cladding can cause damage to the surface of the cladding.

MAINTENANCE TIPS

Ensure the cladding isn't in direct contact with any heat-producing object, for example. grill or BBQ equipment to help protect the cladding surface from heat damage.

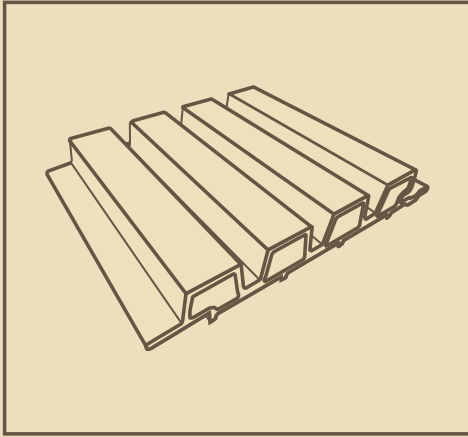
Avoid placing rubber or vinyl products (such as plastic drop sheets) against the cladding surface. In certain conditions, these materials can react with the cladding surface and lead to a white stain. This stain is repairable; if this occurs, please contact your reseller.

Avoid cutting or drilling metal near the cladding, as hot metal shavings may embed into, and damage, the cladding surface.

MATERIALS

You will need the following fastener system components to complete your cladding installation.

BOARDS

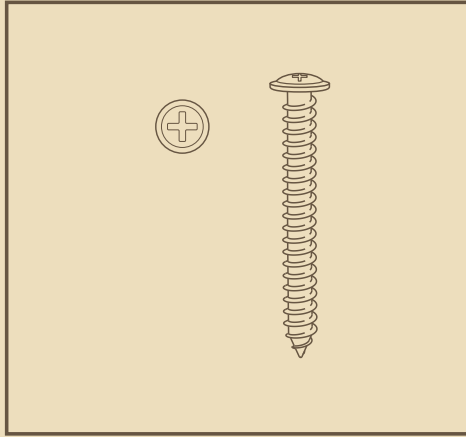


CLADDING PANEL

Dimensions: 221mm x 33mm

Coverage: 186mm

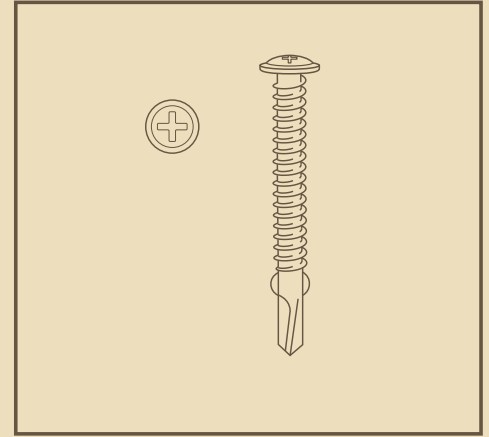
SCREWS



TIMBER SUBFRAME SCREWS

7g 32mm screws

T15 drive bit required

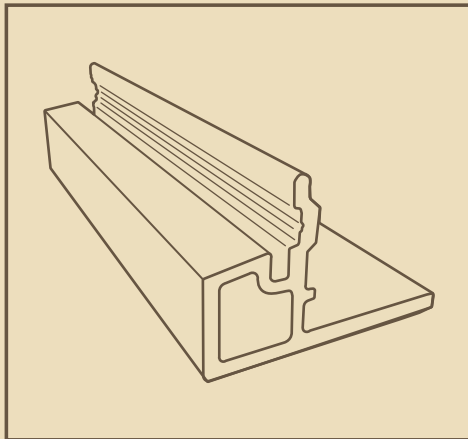


METAL SUBFRAME SCREWS

7g 32mm screws

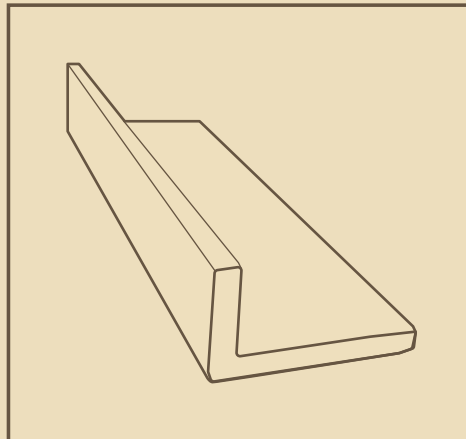
T15 drive bit required

TRIMS



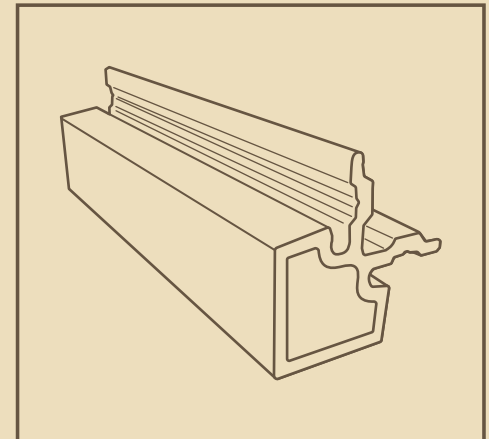
STARTER TRIM

Dimensions: 76mm x 51mm



L TRIM

Dimensions: 32mm x 60mm



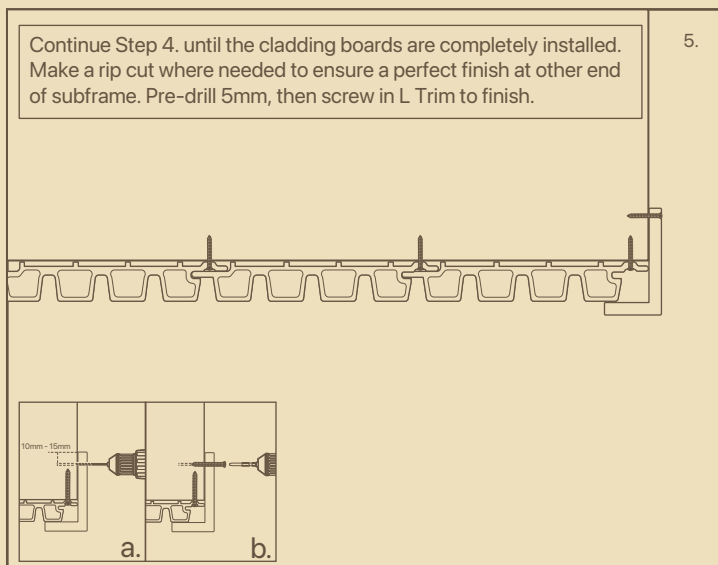
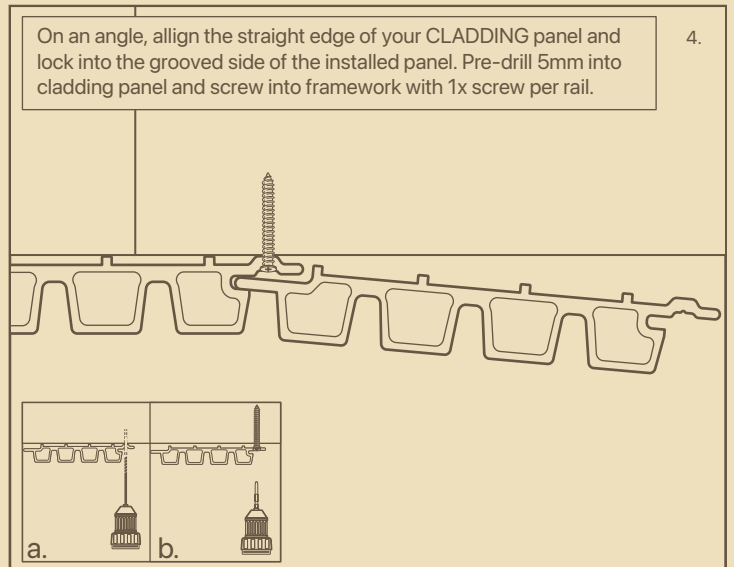
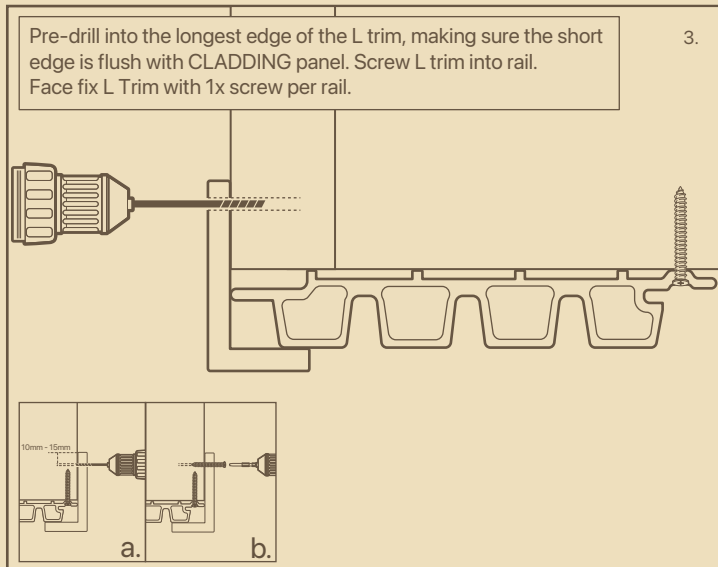
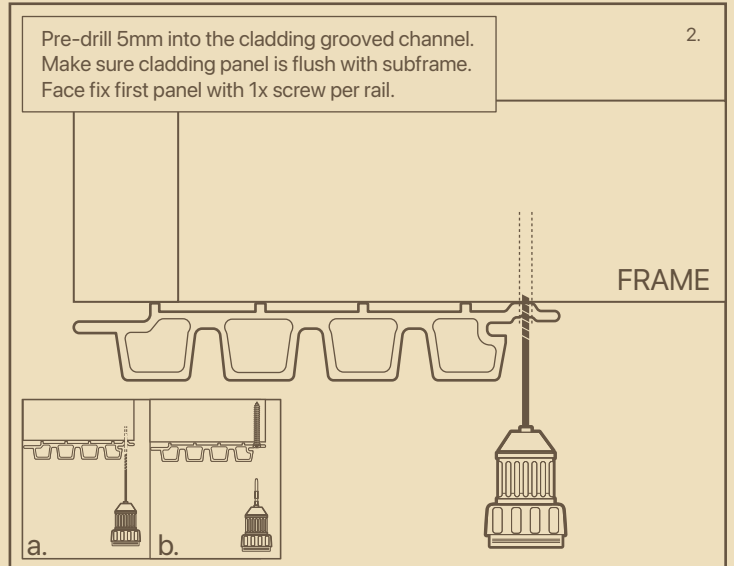
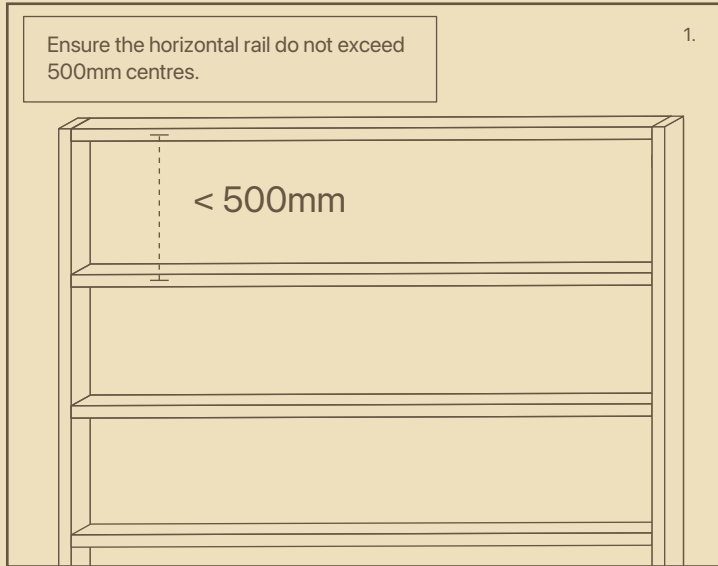
CORNER TRIM

Dimensions: 60mm x 60mm

INSTALLATION STEPS - OPTION A

L TRIM - FOR TIMBER AND METAL SUBFRAME

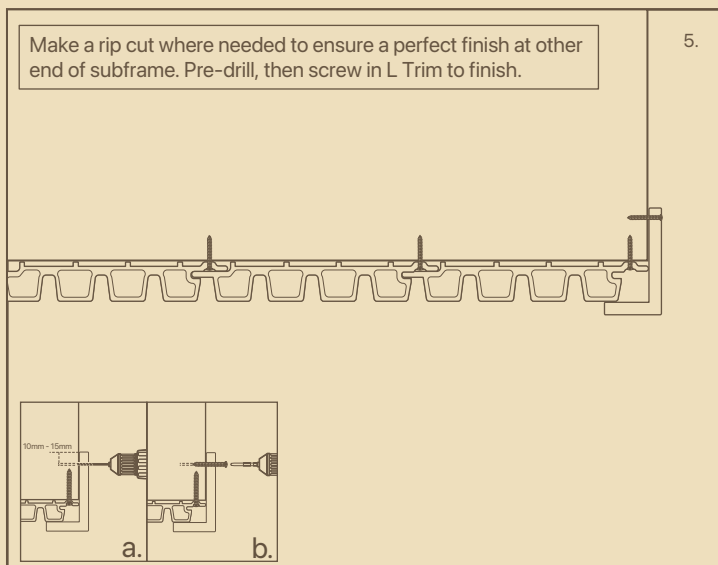
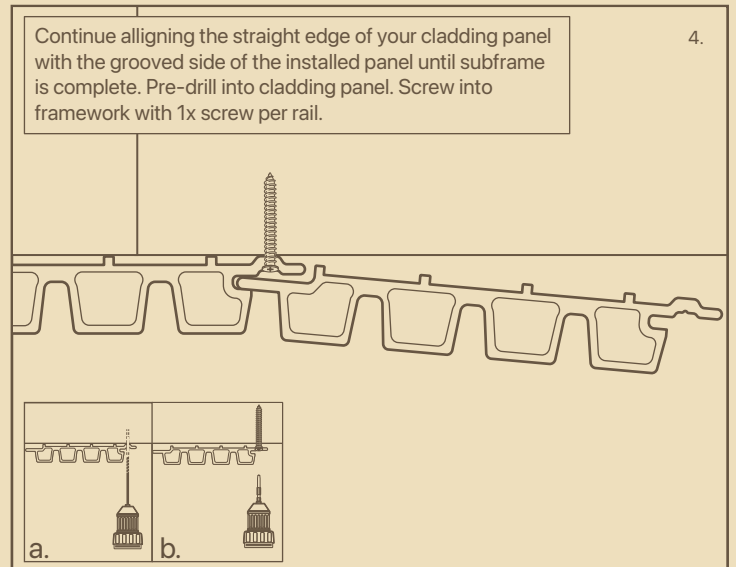
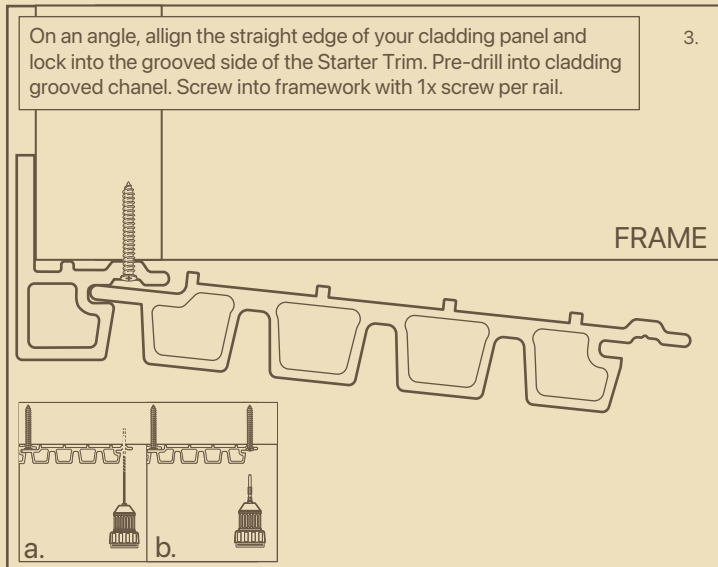
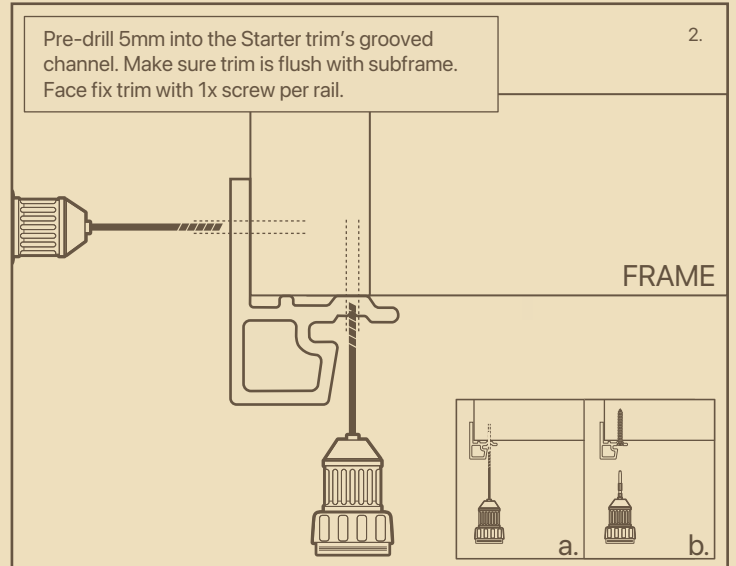
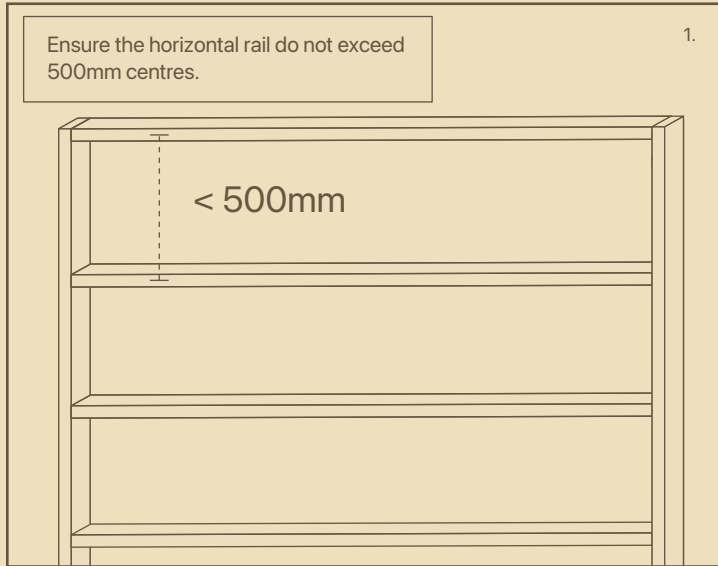
Installation using L Trim to start and finish on a straight wall with no corners.



INSTALLATION STEPS - OPTION B

STARTER TRIM - FOR TIMBER AND METAL SUBFRAME

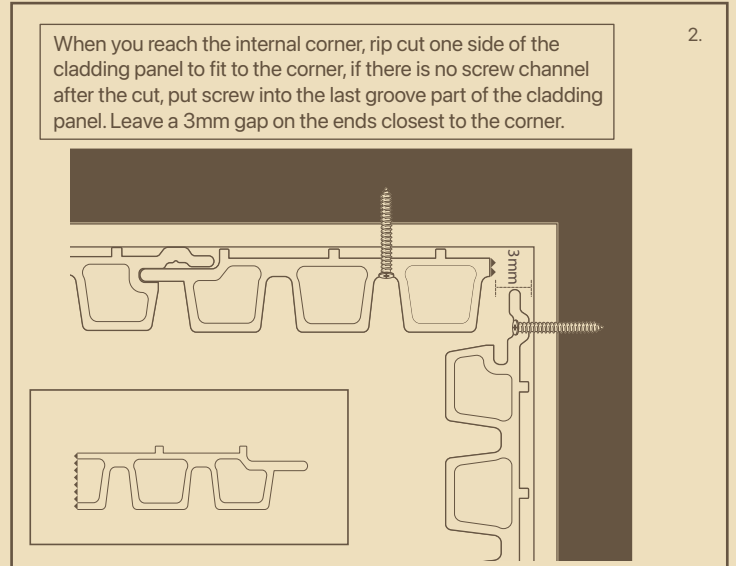
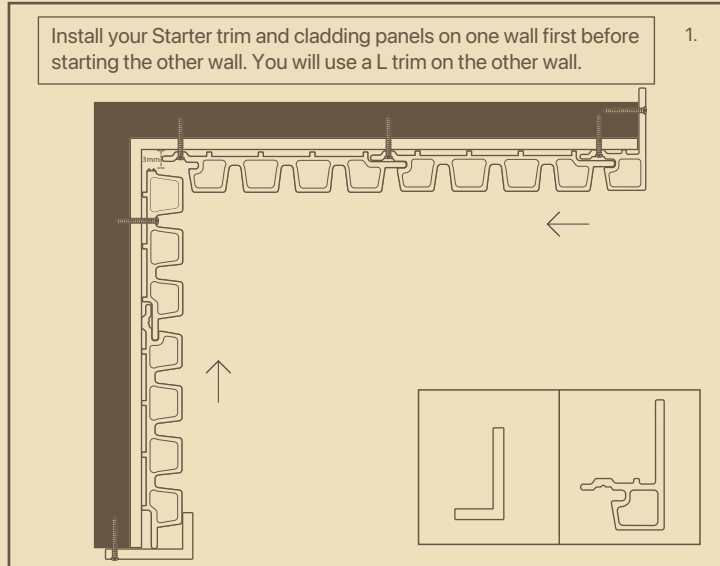
Installation using Starter trim to start and finish with an L trim on a straight wall with no corners.



INNER CORNER INSTALLATION

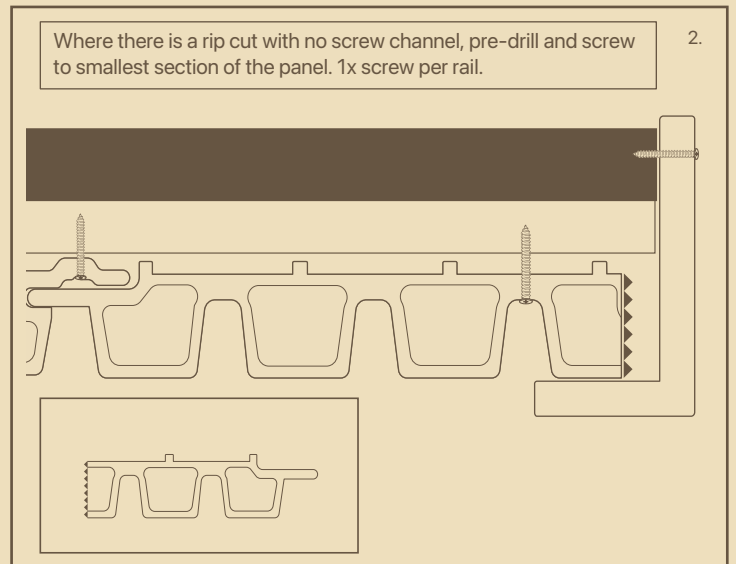
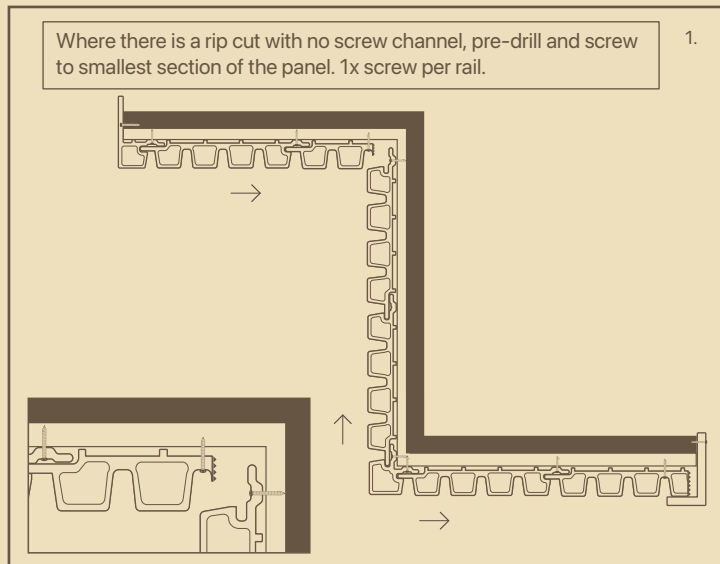
STANDARD INSTALL WITH

When working with an inner corner, always start from the outside point of your wall and work your way in. When a full CLADDING panel doesn't fit perfectly, you will need to make a rip cut to allow the last panel butt joint in the corner. Making sure you allow a 3mm gap.



OUTER CORNER INSTALLATION

When you have an external corner in your project, always start here first and work your way from here. You will be using the Corner trim first, screwing on both grooved channels, 1x screw per horizontal support rail.



WOOD.EVOLVED.





WOOD.EVOLVED.

CONTACT US

If you require any further assistance with assembling your new WoodEvo Cladding, please contact us.

NaturalTech Pty. Ltd.

3 Bass Court
Keysborough VIC, 3168

1300 966 338

info@woodevo.com.au
www.woodevo.com.au